



## General description

The TD520 10" Touch Display is the premium aftermarket or secondary display solution for the ultimate user experience in grade control applications. With its specialised combination of anti-glare, powerful backlighting and advanced optical bonding techniques the display combines at-a-glance sunlight readability with an easy to learn discoverable multi-touch interface.

Built on top of a powerful 3D graphics engine and processing platform the Android operating system means you can extend the display with additional applications that your business needs without having to upgrade your hardware or add an additional display.

## Key Features & Benefits

- Large 10.1" sunlight readable optically bonded LCD with capacitive multi-touch interaction
- Android 6.0 Marshmallow for easy software extensibility
- Powerful quad core processor platform with dedicated graphics processor
- Secure platform for portability of grade control option keys
- Optional integrated Bluetooth and Wi-Fi for wireless connectivity
- 10MBps wired Ethernet
- Quick release RAM mounting for daily theft protection removal
- Panel mounting option for factory integration
- Front facing USB for easy FW upgrade and synchronisation of design and productivity data
- Rugged design for construction, paving and mining machine environments

## Physical Characteristics

<b>Size:</b>	
<b>Length:</b>	293 mm (11.54 in)
<b>Width:</b>	185 mm (7.28 in)
<b>Depth:</b>	50 mm (1.97 in)
<b>Weight:</b>	2.07kg (4.56 lbs)
<b>Platform:</b>	Freescale iMX6 1GHz quad core plus CPU with GPU, 2GB RAM and 16GB non-volatile Flash memory
<b>OS:</b>	Android 6.0 "Marshmallow"
<b>I/O:</b>	(1) - Ethernet 10MBps (4-wire) (1) - Front-facing USB 2.0 Type A Host port (1) - USB Mini A/B OTG port (1) - 2.4 GHz Wi-Fi 802.11b/g/n (optional) (1) - Bluetooth 4.0 LE (optional, XXX profiles supported) (1) - Integrated Speaker (85db @ 1m) (1) - Suspend/Resume Button (1) - Volume +/- Button

## Display Specifications

<b>Resolution:</b>	WUXGA (1920 x 1200)
<b>Contrast Ratio:</b>	800 Typical
<b>Backlight:</b>	800 cd/m2
<b>Treatments:</b>	Anti-glare, anti-fingerprint, optical bond
<b>Viewing angle:</b>	+/-85deg
<b>Touch panel:</b>	P-cap multi-touch with gloved hand support and rain false touch rejection
<b>Glass Hardness:</b>	7H

<b>Housing:</b>	Cast aluminium, with tactile hand hold features and integrated drop bumpers
-----------------	---

## Environmental Characteristics

<b>Temperature</b>	
<b>Operating:</b>	-20°C to +70°C (-4°F to +158°F)
<b>Storage:</b>	-30 °C to +85 °C (-22°F to +185°F)
<b>Humidity:</b>	90% relative humidity
<b>Sealing:</b>	IP66 for dust, rain and pressure wash
<b>Vibration:</b>	4.4 G-rms for construction machine cab environments
<b>Drop Resitance</b>	1.0 m on concrete

## Electrical Specifications

<b>Input Voltage:</b>	9 Vdc to 32 Vdc unconditioned
<b>Max Current</b>	1.6 A
<b>Reverse Votlage Protected:</b>	Yes

**Overvoltage Protected:** Yes  
**Load Dump Protected:** Yes  
**Short Circuit Protected:** Yes

**Electromagnetic Immunity**  
**Immunity:** ISO 13766:2006  
**Power Transients:** ISO 7637-1 & ISO 7637-2  
**Emmissions:** ISO 13766:2006; CISPR 25

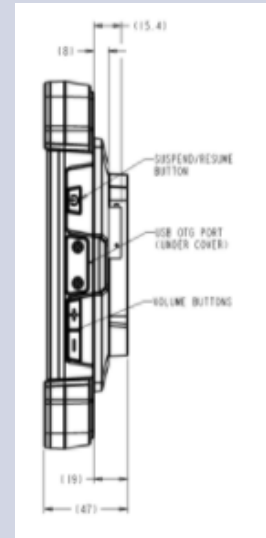
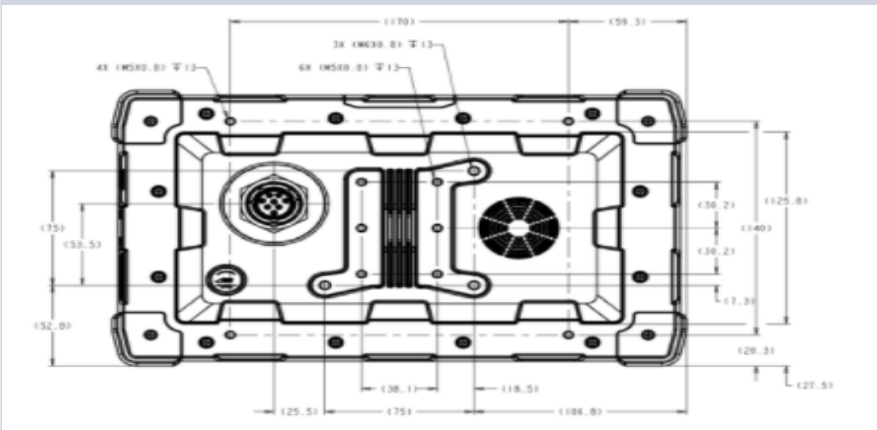
**Regulatory**  
**Radio and Electromagnetic** CE, FCC, IC, RCM, Japan, ICES-3  
**Environmental** WEEE, REACH, ROHS, and China RoHS

**Primary I/O Connector Styles**

MS Style 1/4 turn Amphenol PN 93-574605-8P  
(Mates with C93-574670-08S or similar connector)

- A - Ethernet TX(-)
- B - Ethernet RX(-)
- C - Not Connected
- D - Battery(-)
- E - Battery(+)
- F - Not Connected
- G - Ethernet RX(+)
- H - Ethernet TX(+)

**Dimensions (mm)**



Specifications subject to change without notice.

© 2017, Trimble Inc. All rights reserved. Trimble and the Globe & Triangle logo are trademarks of Trimble Inc, registered in the United States and in other countries. All other trademarks are the property of their respective owners.